



AMN GOSTAR RASAMEHR CO



Street Lighting

LED
Street Lights
30-200W
 AC100~240V
 Color: ● ● ●
125 Lm/w



CE MARKINGS



3-5 YEARS WARRANTY



50.000 hrs LED LIFE

L80

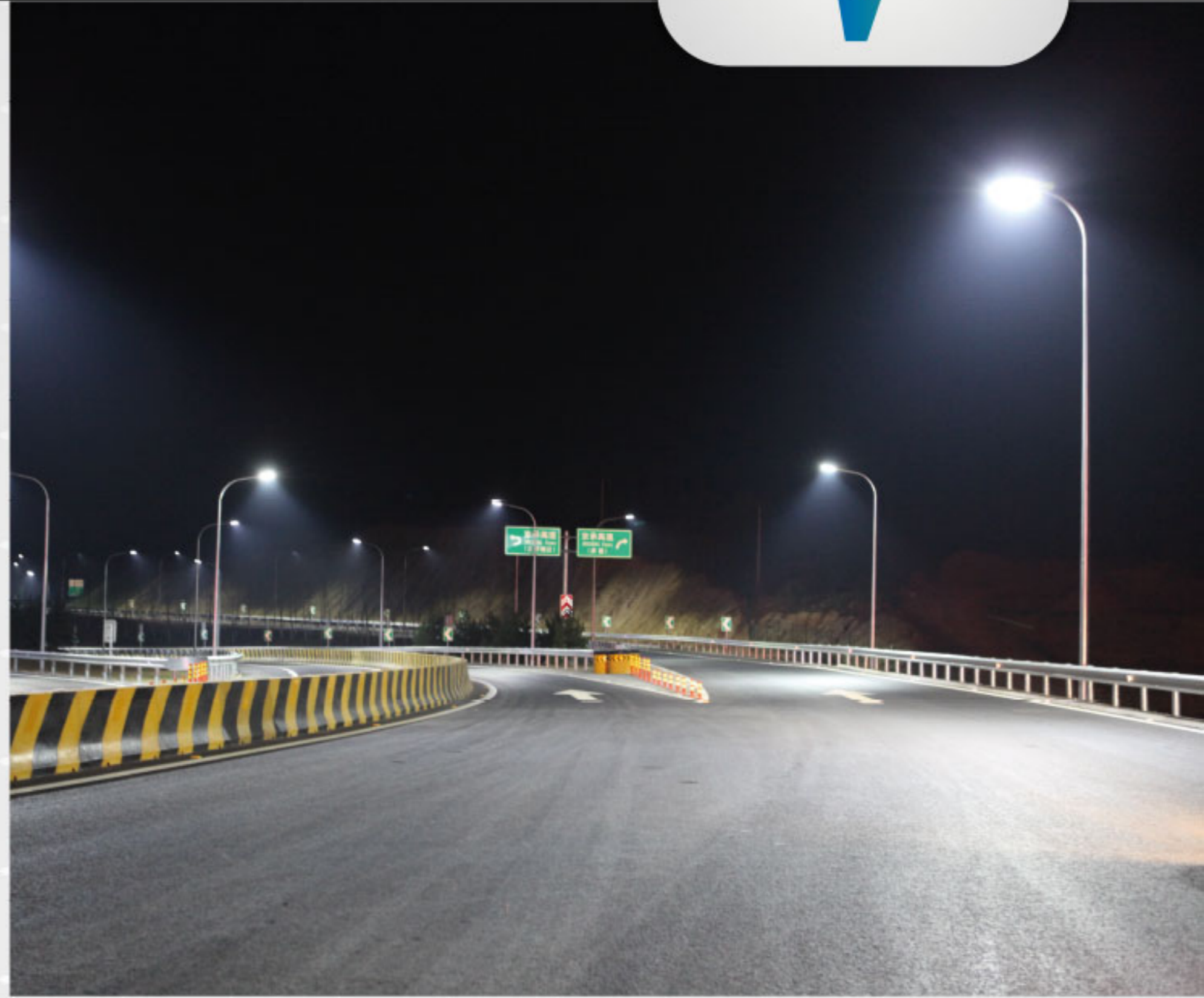
L80 RATED

IP66

IP RATING



INTERNATIONAL ELECTROTECHNICAL COMMISSION



Features

- 1-The smart control system enables adaptation of luminous flux according to needs and also cuts operating costs.
- 2- Self Cleaning Nano Coating
- 3- Optimized light distribution
- 4- high lumen output, anti -glare
- 5- optimal thermal management
- 6- IP66 protection rating
- 7- surge protection up to 5kv - 10kv

Benefits

- 1- Illuminate different sized road and accommodate different lamppost layouts
- 2- Up to 60% energy saving comparing to HPS streetlight
- 3- Long life, low maintenance cost
- 4- No dark space, luminaires wont blind driver
- 5- Easy to install can be secured to any lamppost
- 6- Safe for outdoor use weather resistant

Application

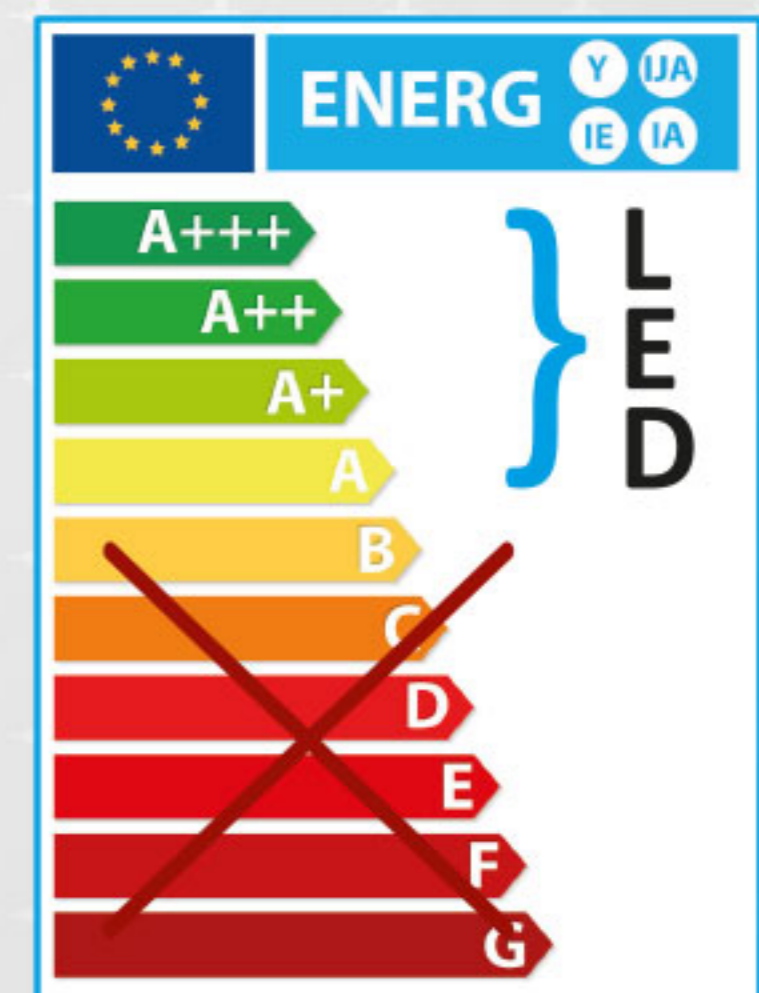


Specification

Item code	Product description	Power (W)	Power Factor	Efficiency	lumen (lm)	CCT (K)	Average Lifetime(hrs)
9700100	LEDstreetlight-RM-30W	30	0.95	≥125	3750	3000-6000	50000
9700101	LEDstreetlight-RM-50W	50	0.95	≥125	6250	3000-6000	50000
9700102	LEDstreetlight-RM-100W	100	0.95	≥125	12500	3000-6000	50000
9700103	LEDstreetlight-RM-150W	150	0.95	≥125	18750	3000-6000	50000
9700104	LEDstreetlight-RM-200W	200	0.95	≥125	25000	3000-6000	50000

Technical specifications of street light	
CRI	≥80
Colour consistency	6
Dimmable	yes
Housing colour	Gery/Black
IP	IP66
IK	IK08
Driver integrated (yes/no)	yes

Electrical supply	
Frequency (HZ)	50-60 Hz
Voltage	220-240 V
AC/DC	yes
Mechanical properties	
Housing material	Die cast aluminum
Optical material	Pc





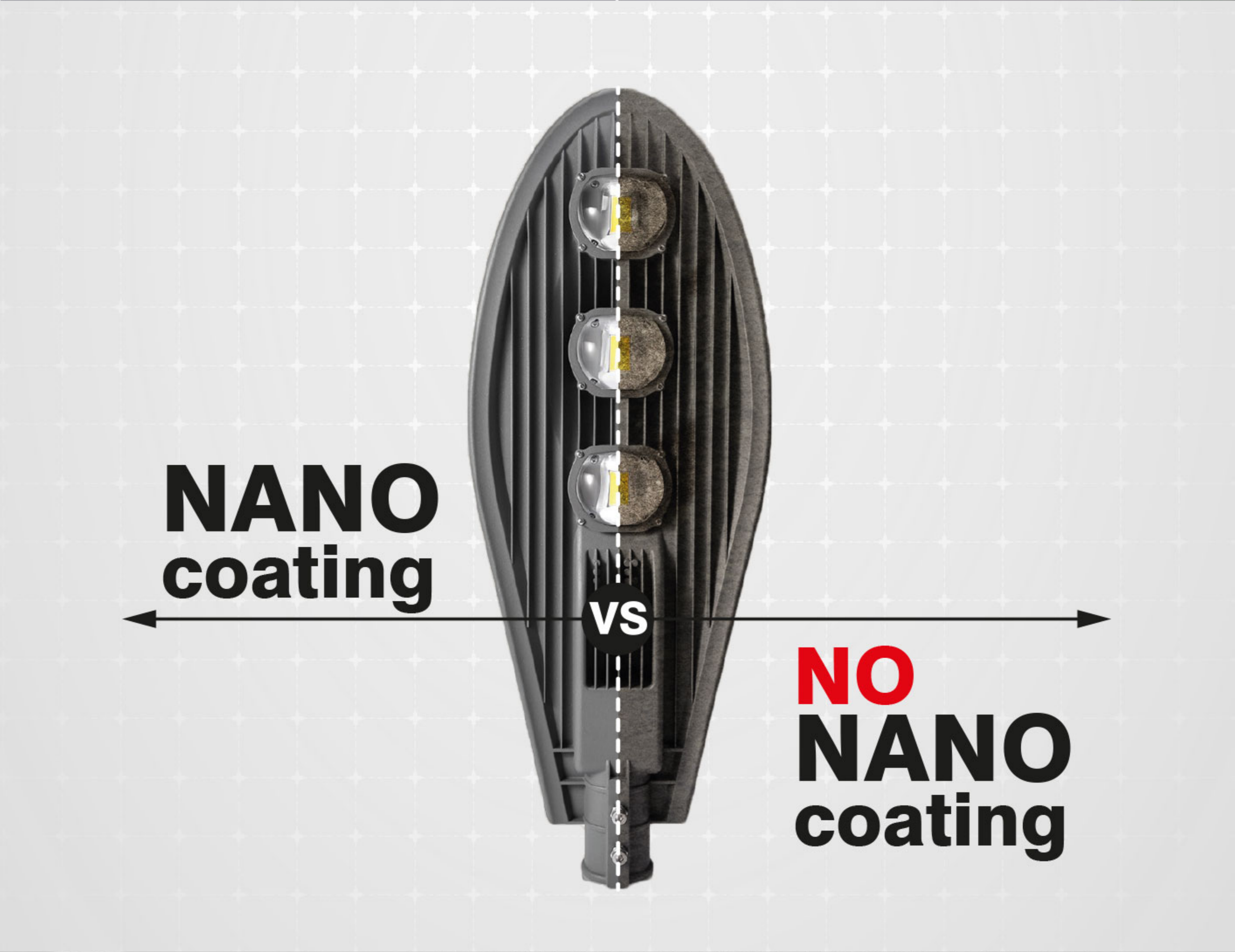
LED

STREET LIGHTING

VS

HPS

STREET LIGHTING



**NANO
coating**

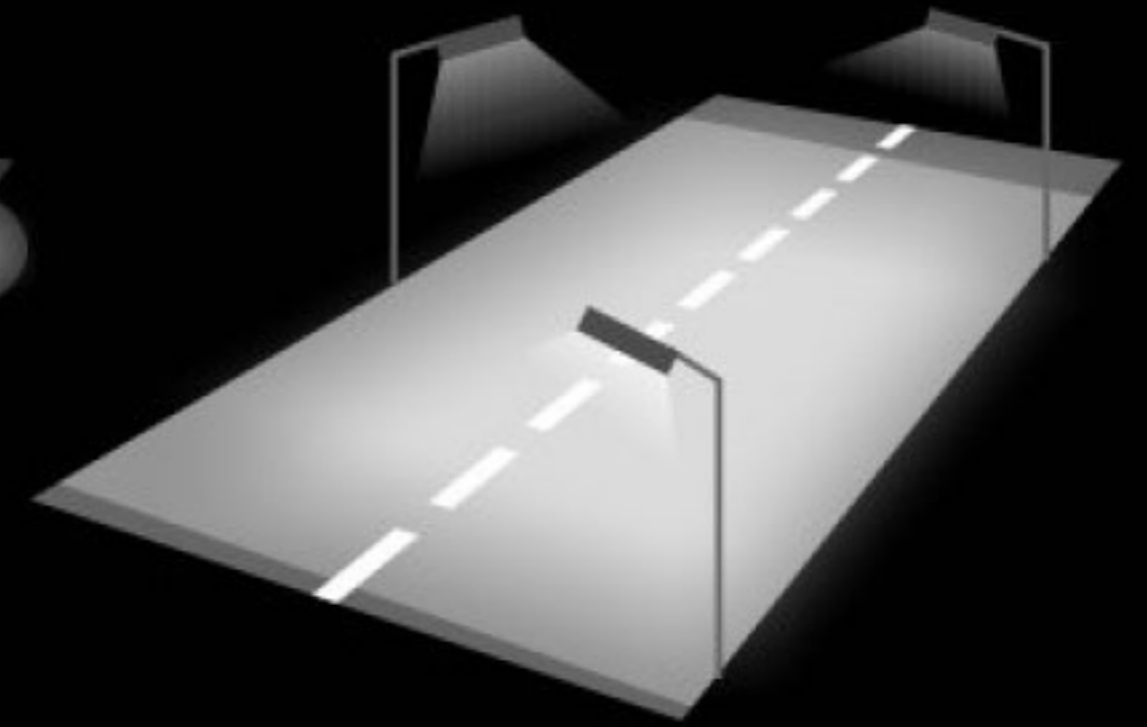
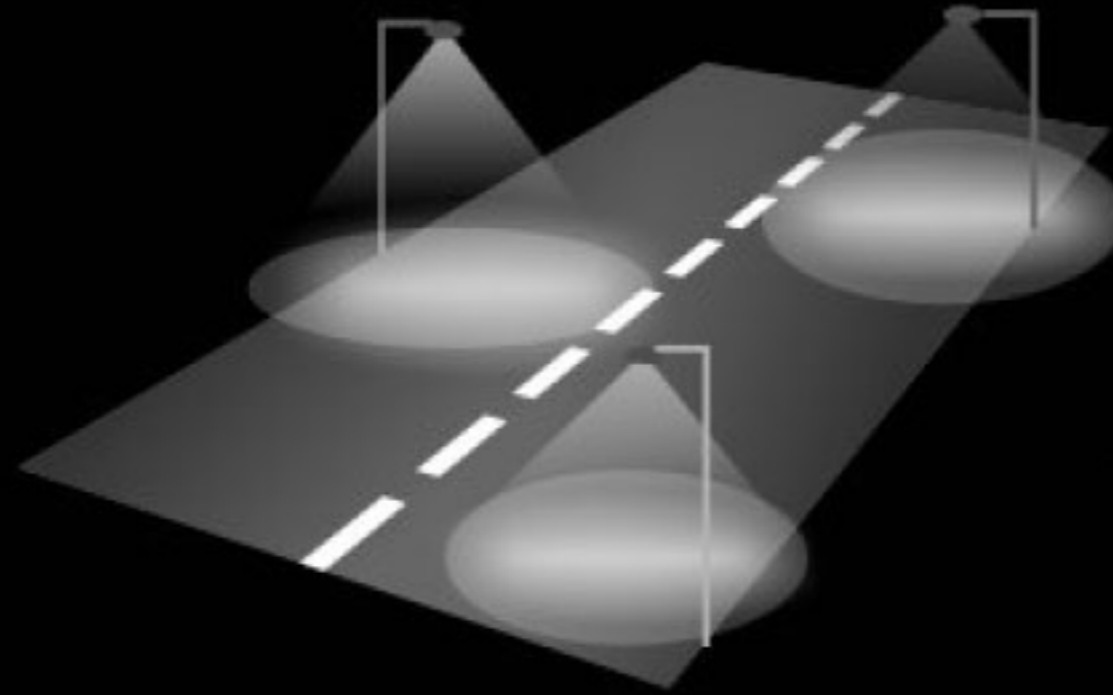
VS

**NO
NANO
coating**

Optimization LED STREET LIGHT

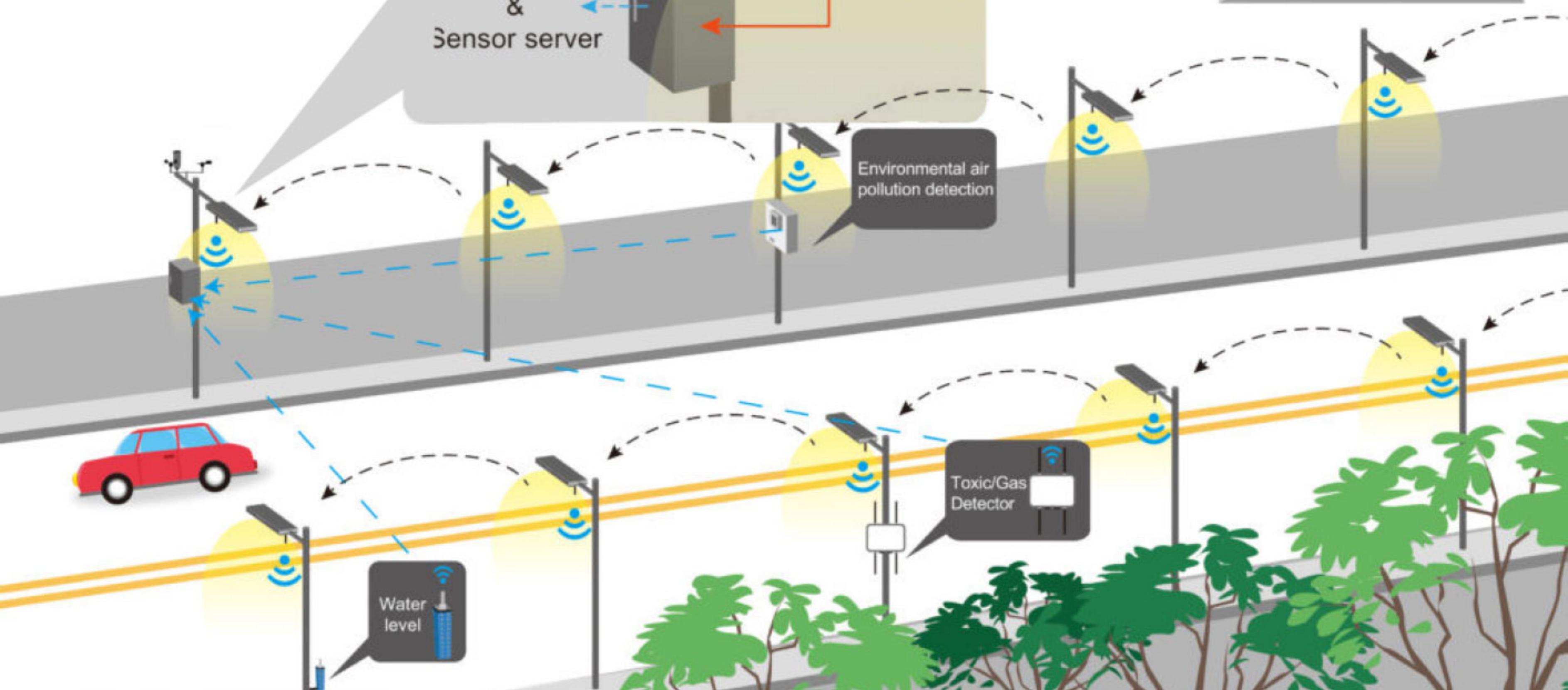
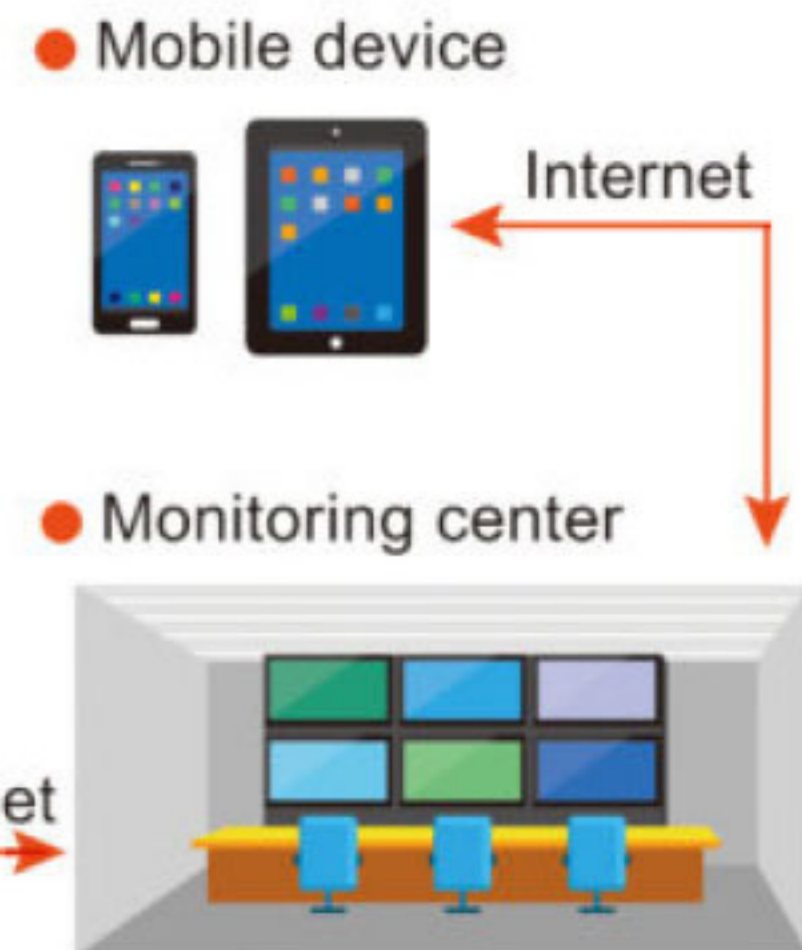
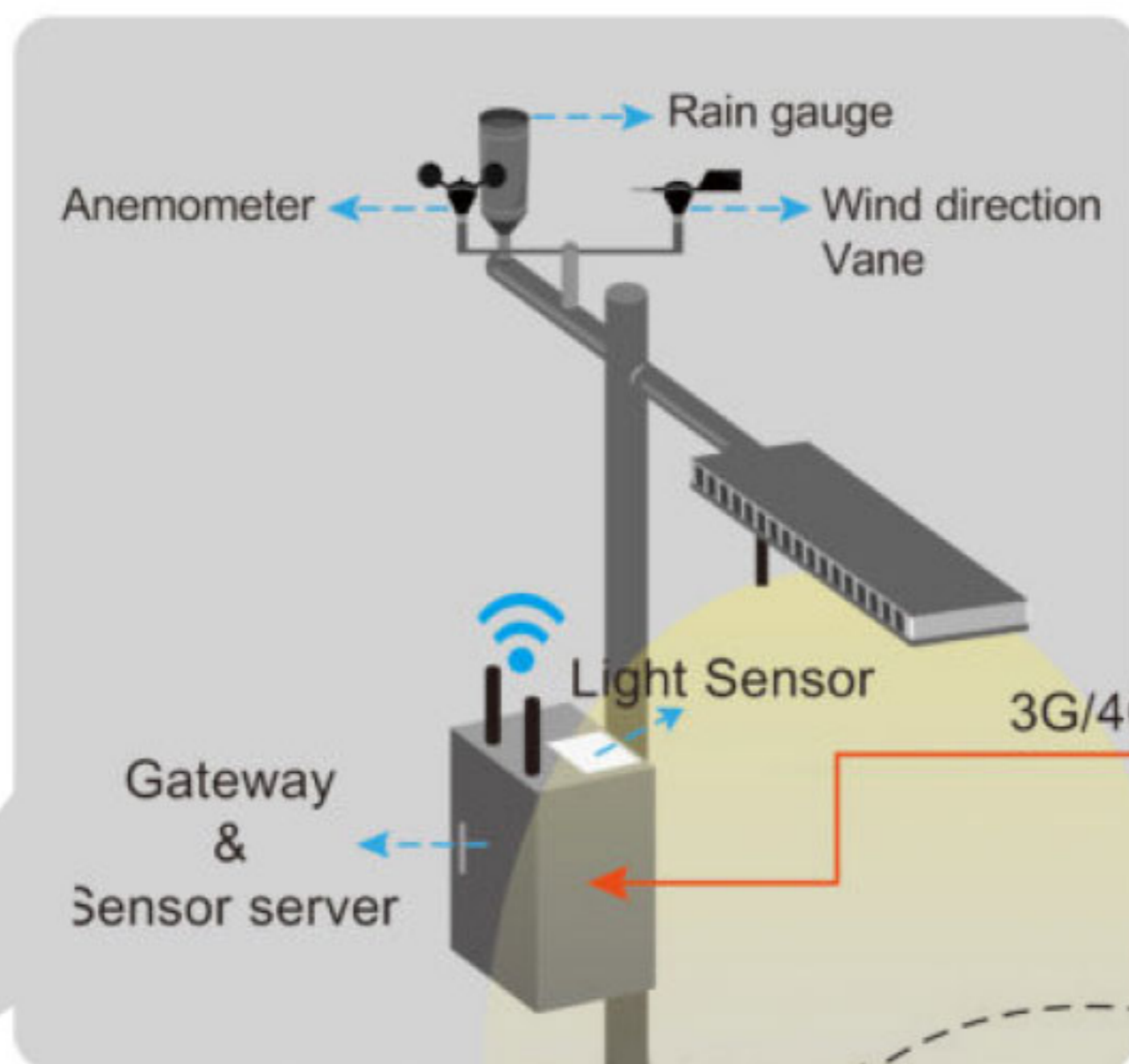
Customising Street Light solutions using the best lenses available

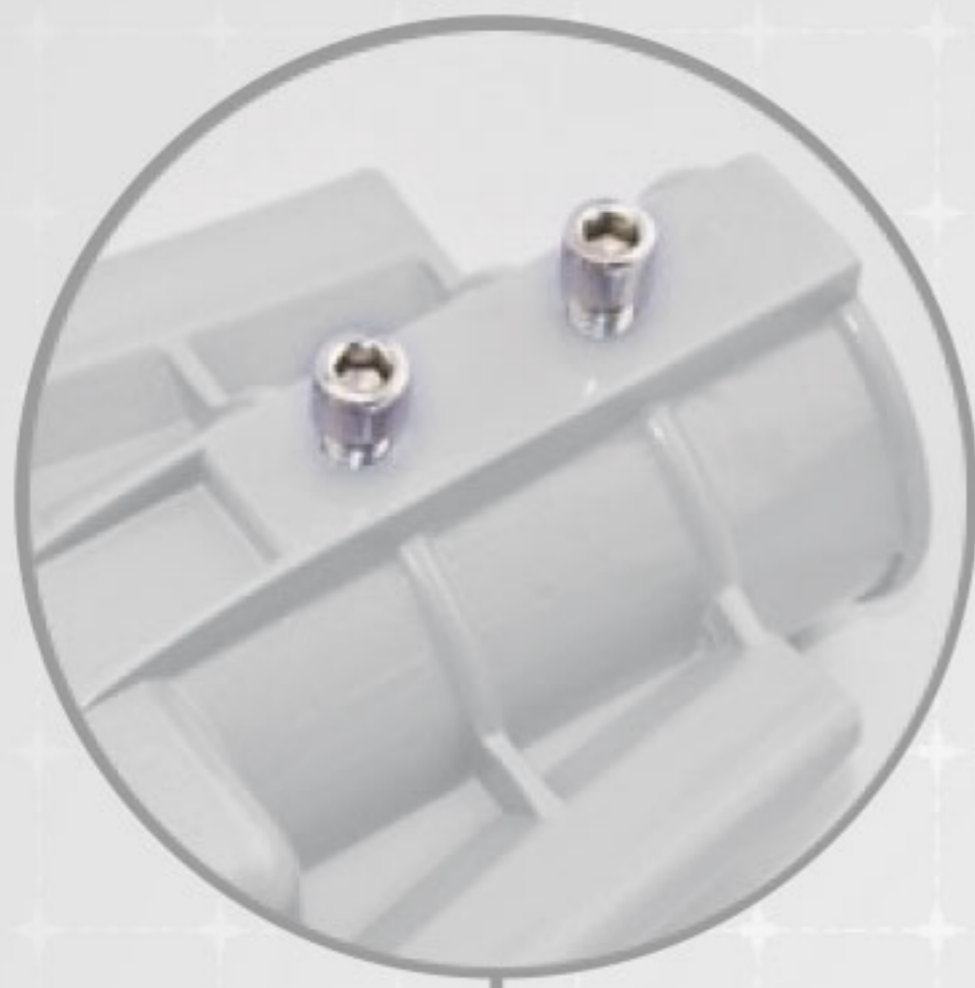
WITHOUT OPTIMISATION



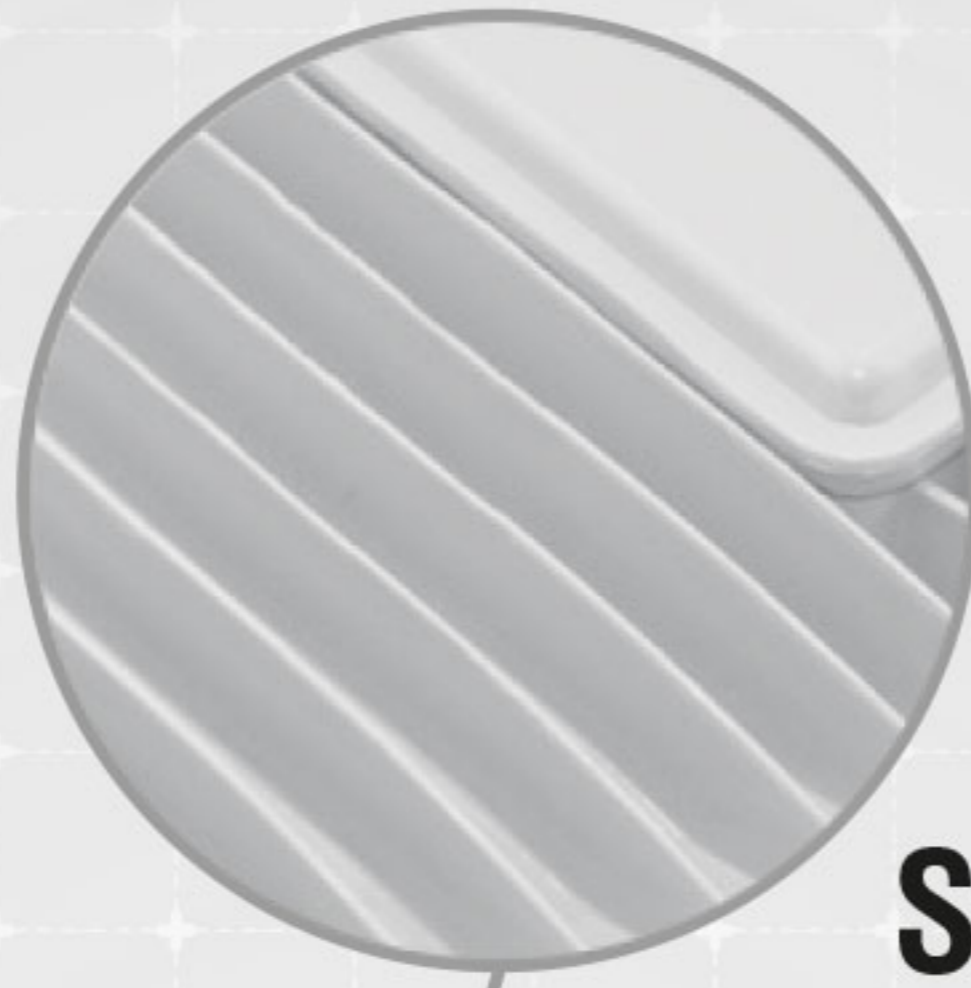
OUR OPTIMISED SOLUTION

SMART LED STREET LIGHT

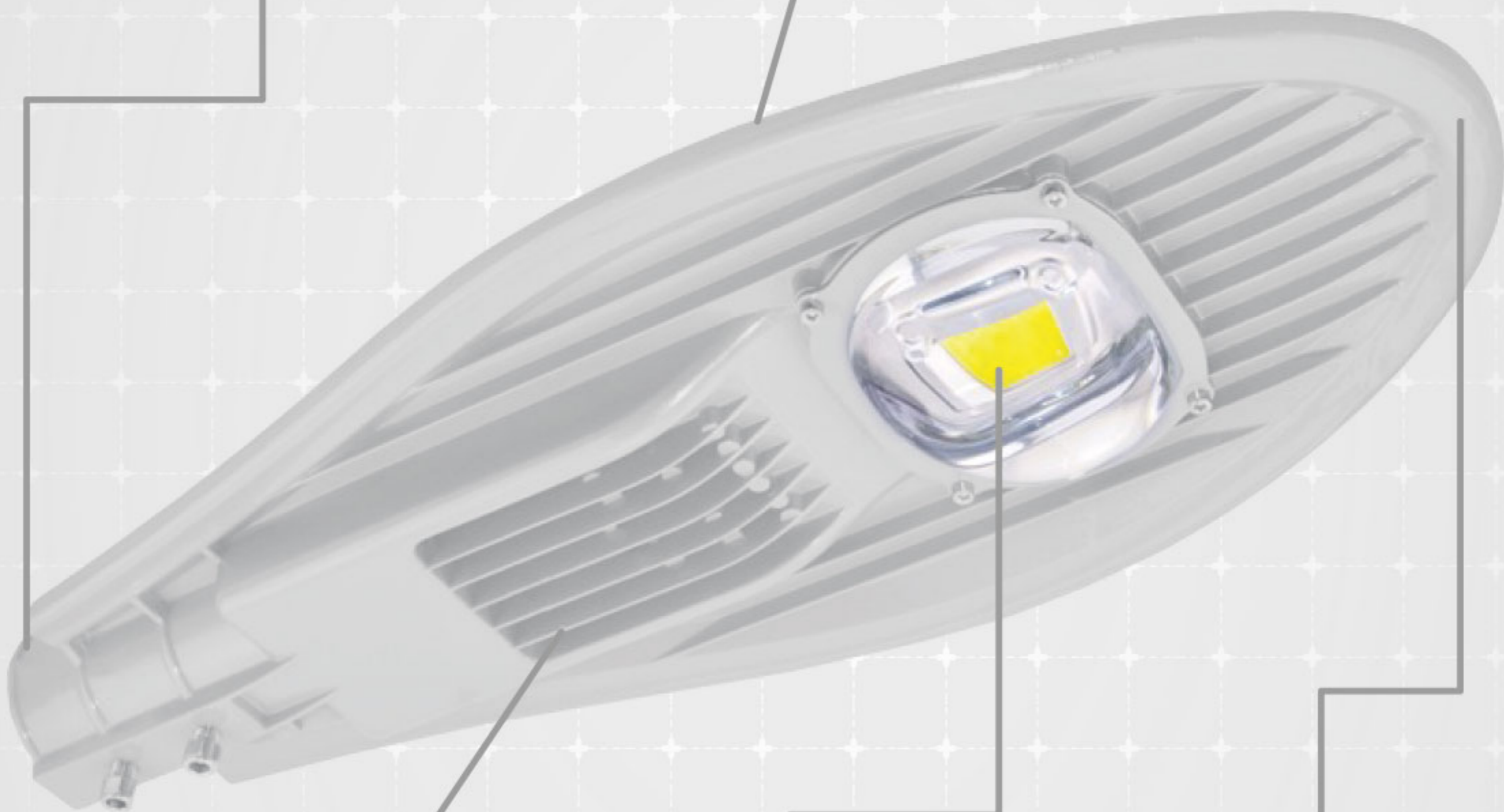




CONNECTOR



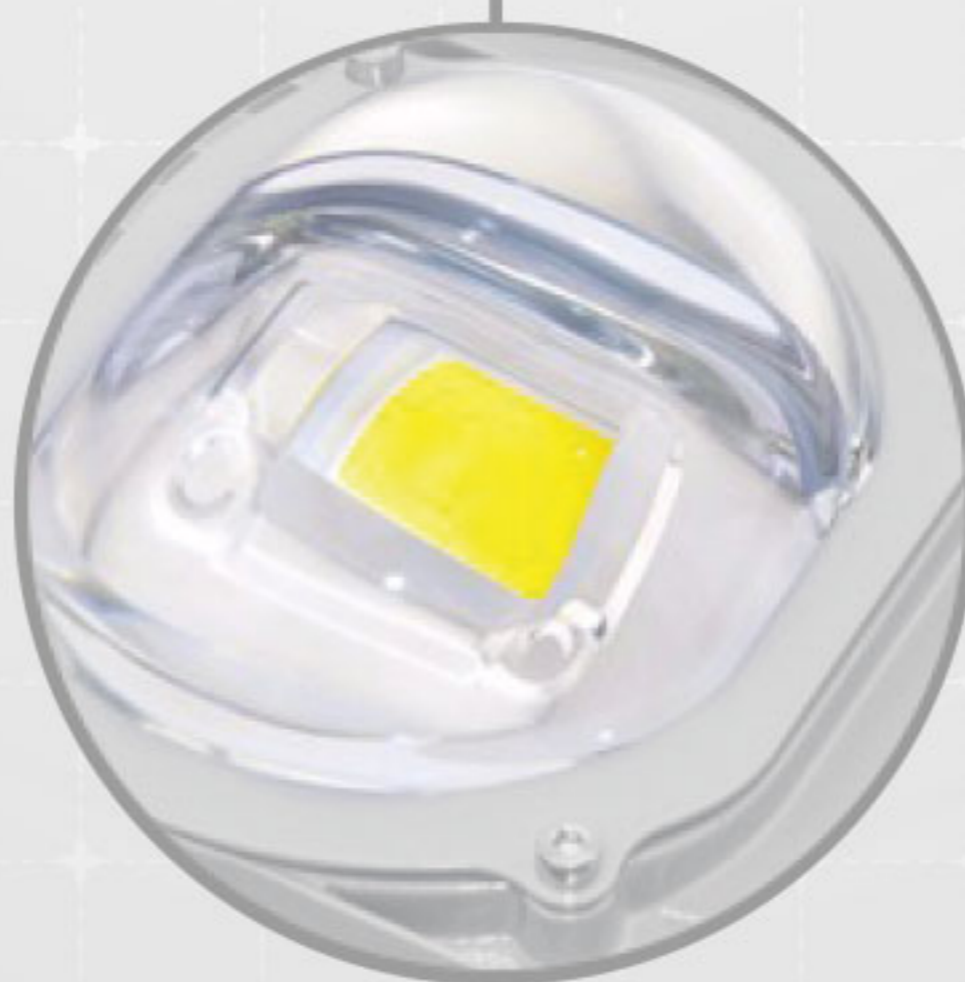
SUPER THERMAL DESIGN

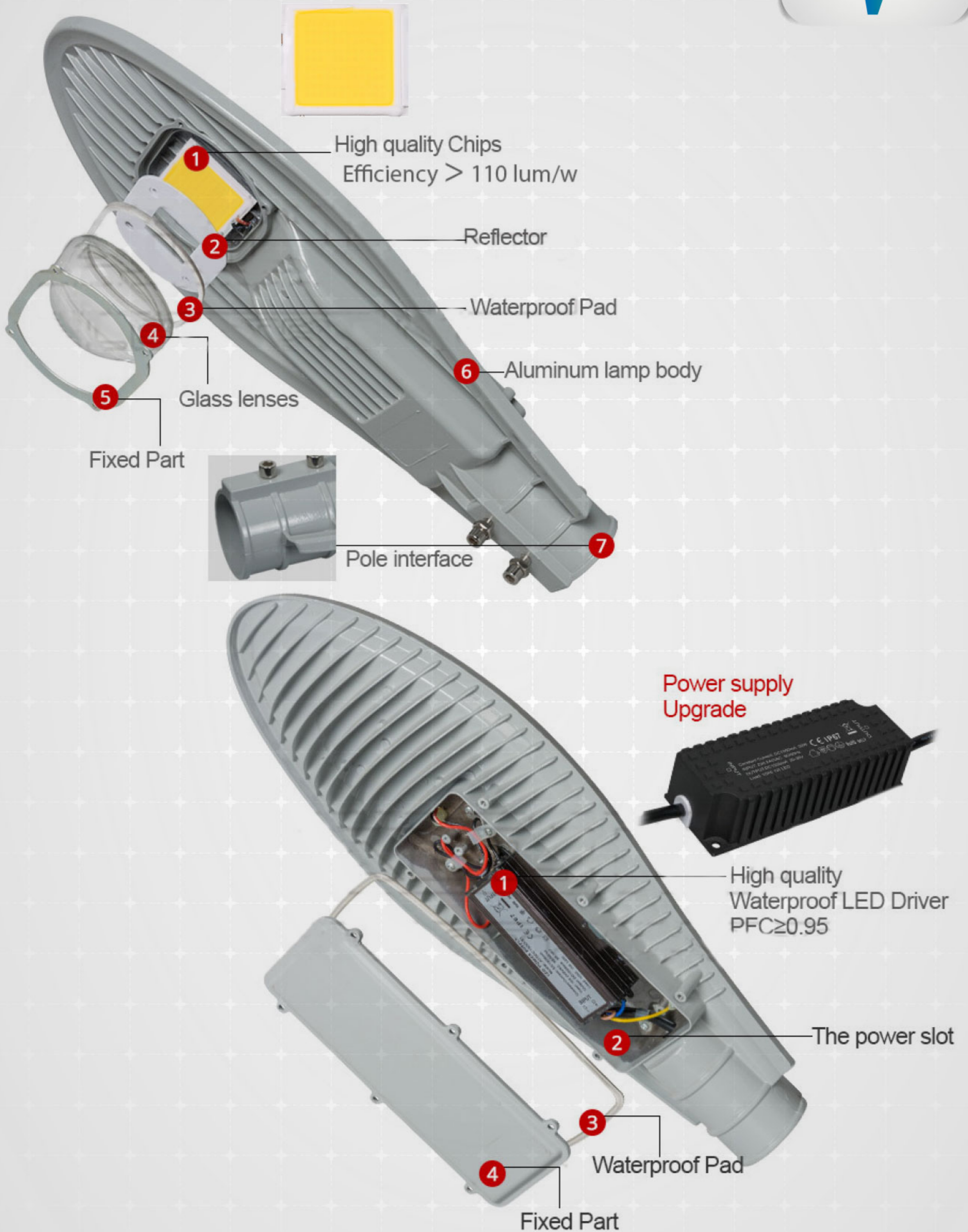


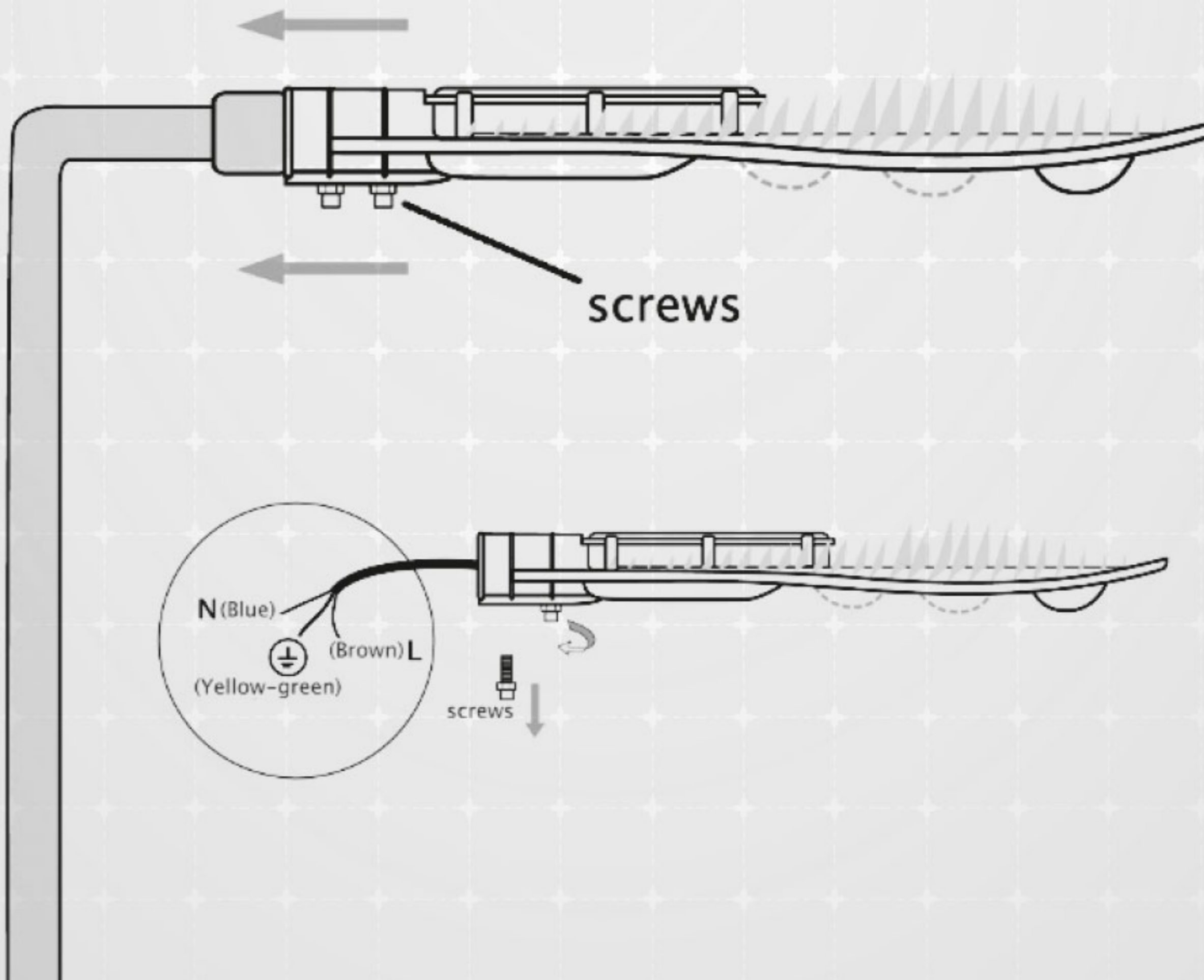
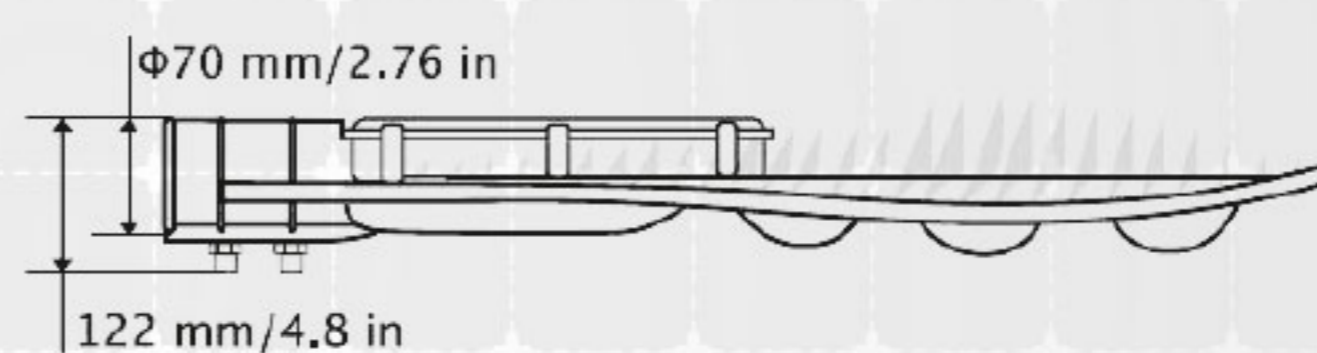
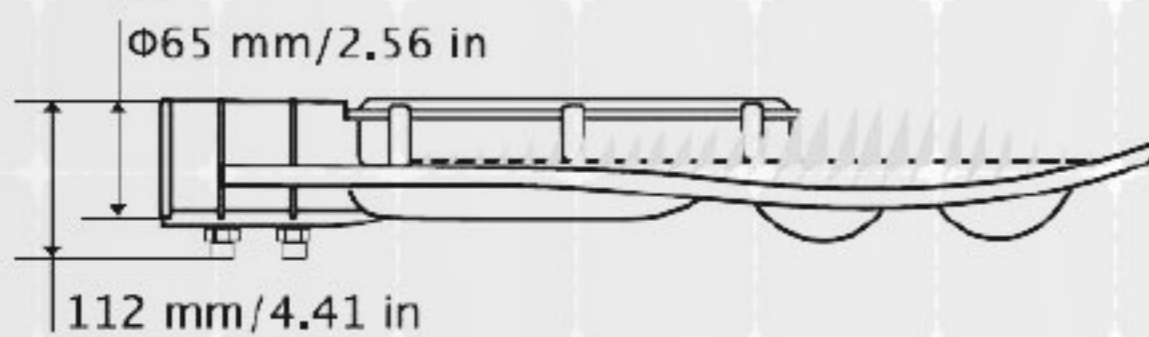
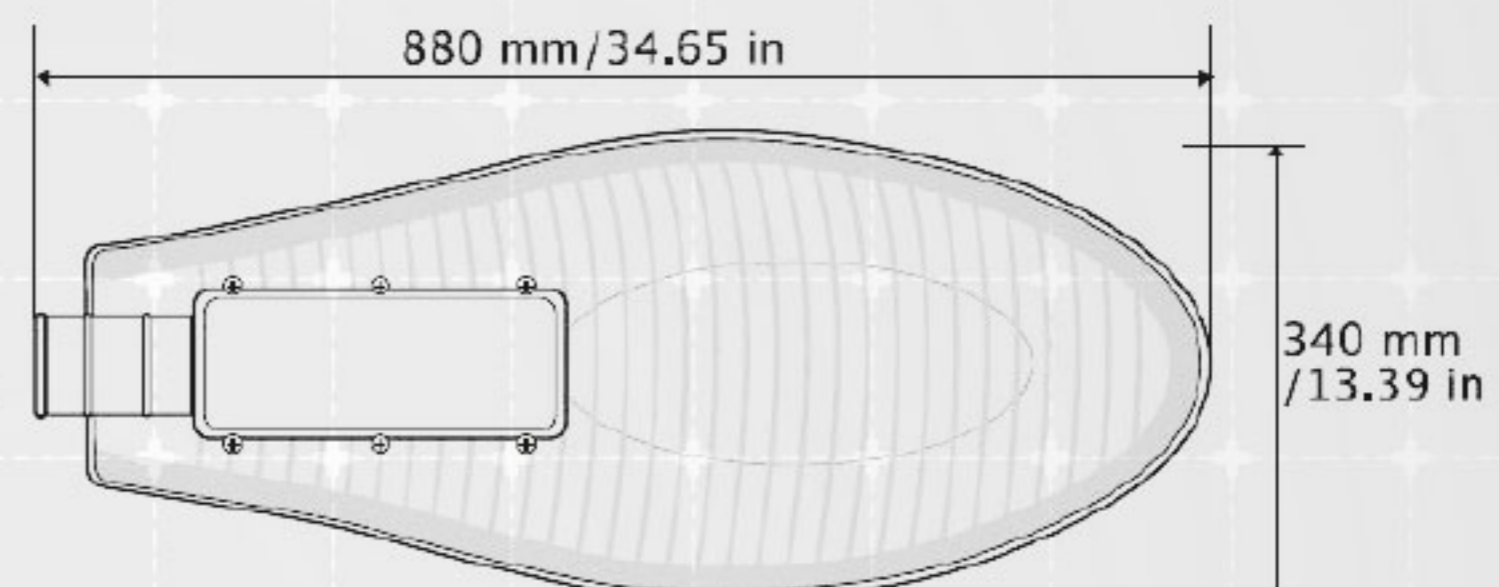
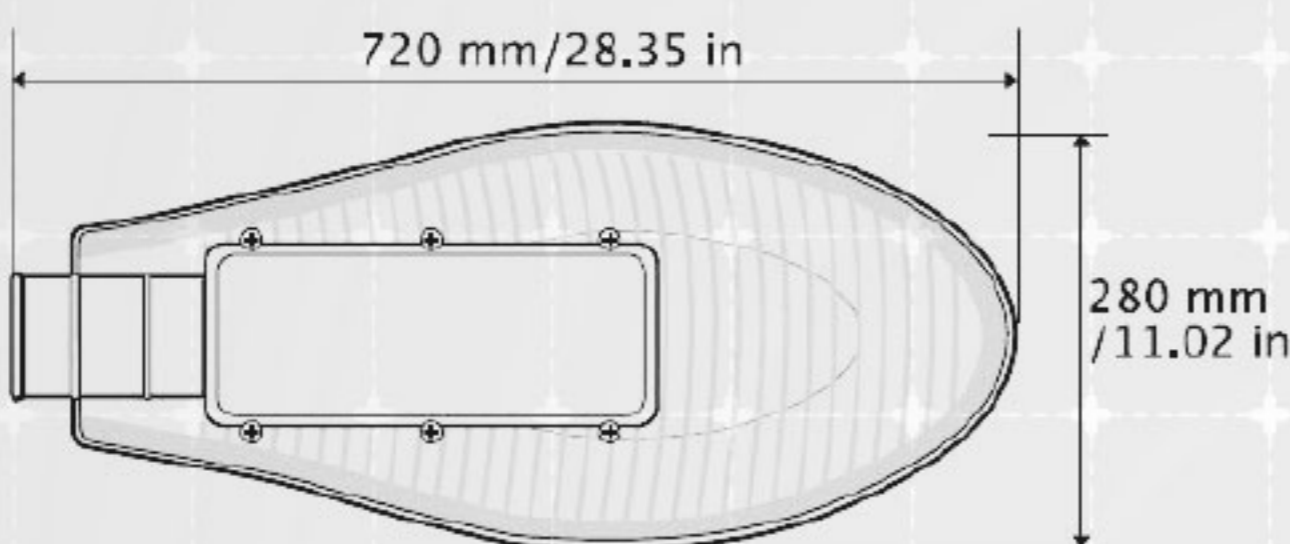
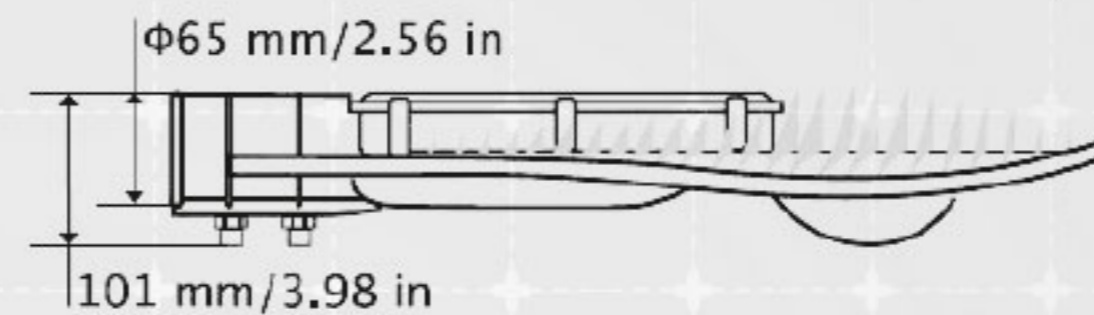
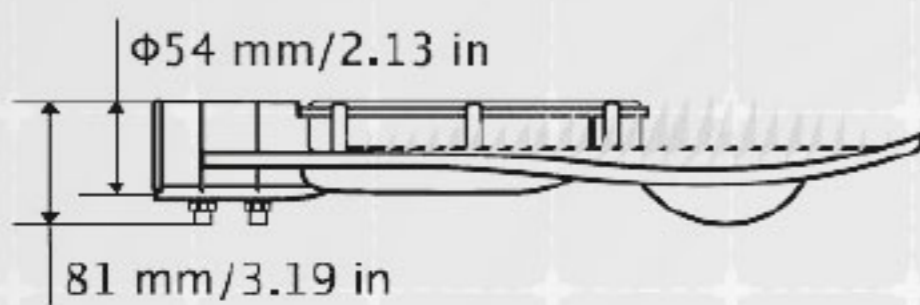
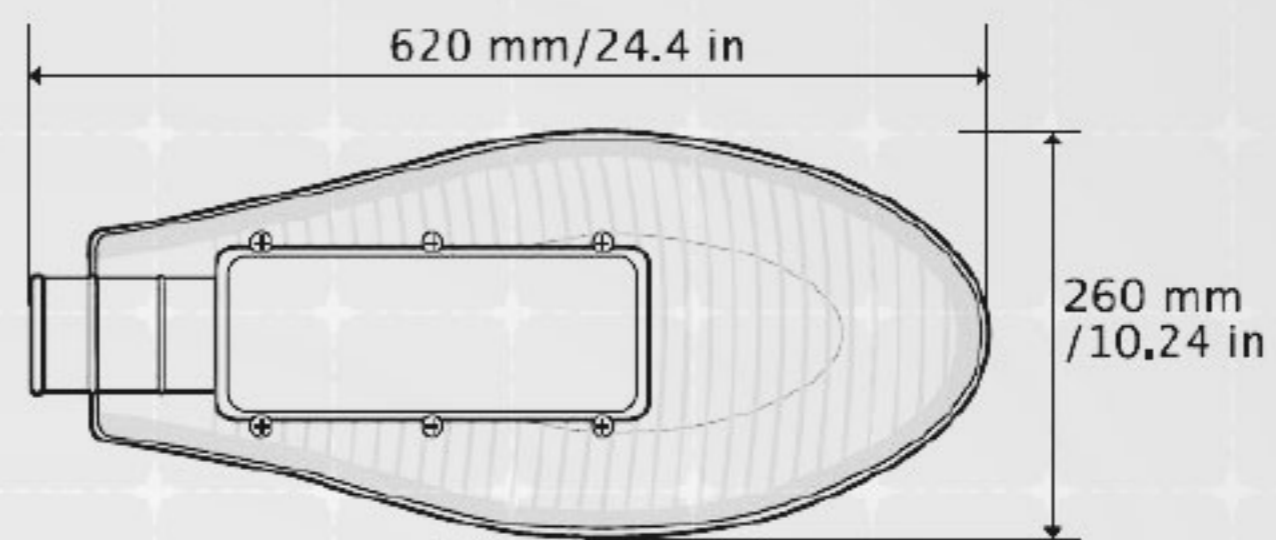
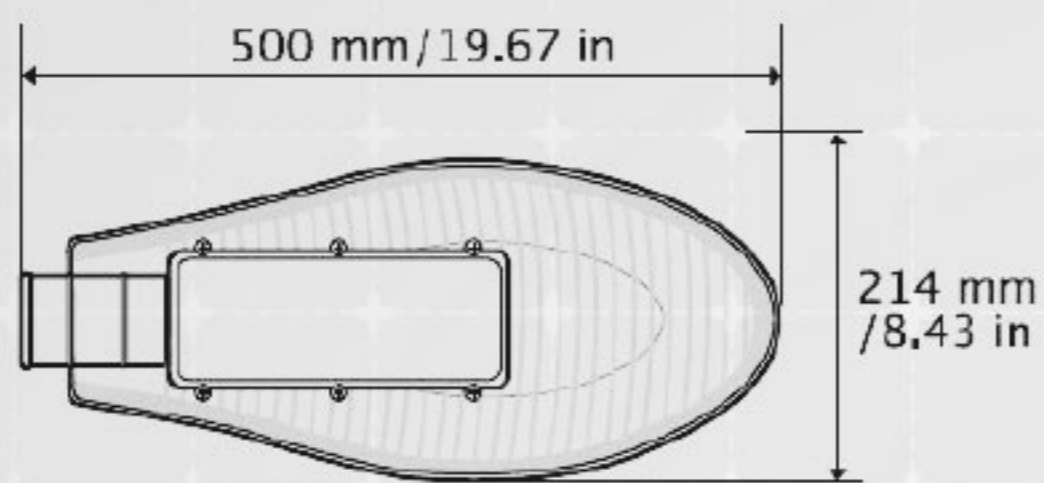
PRIMARY ALUMINUM

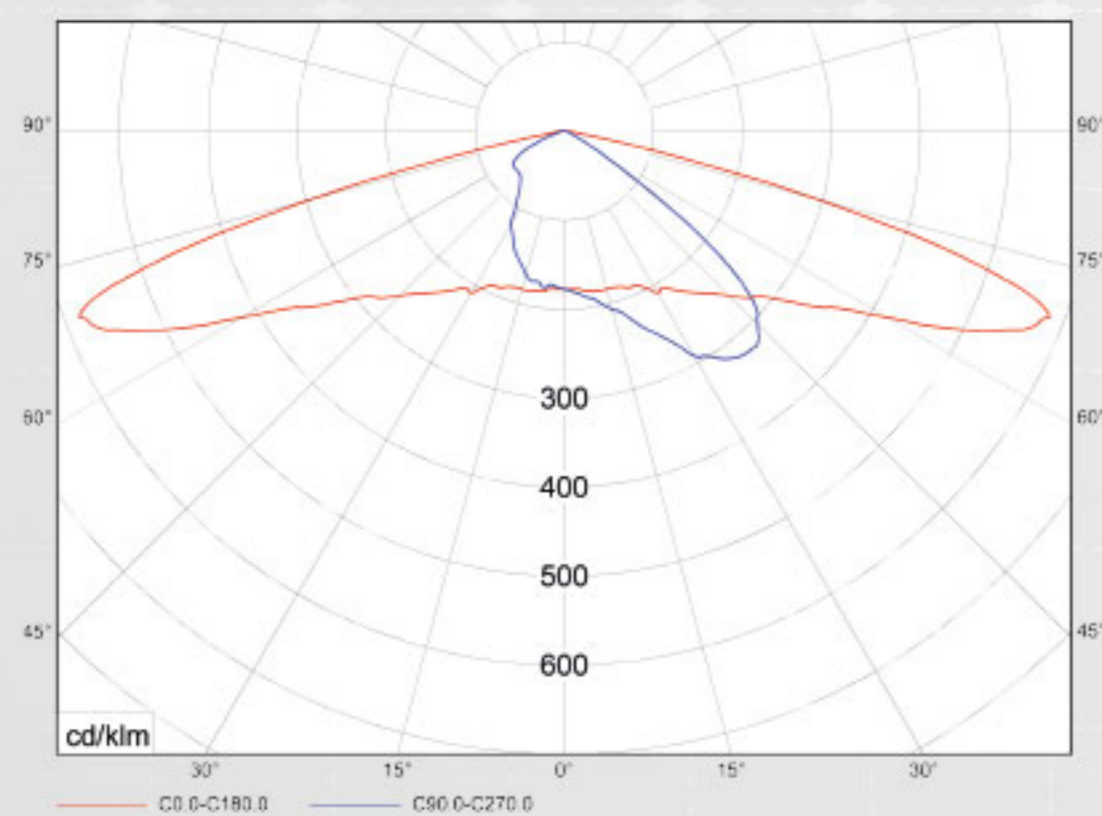
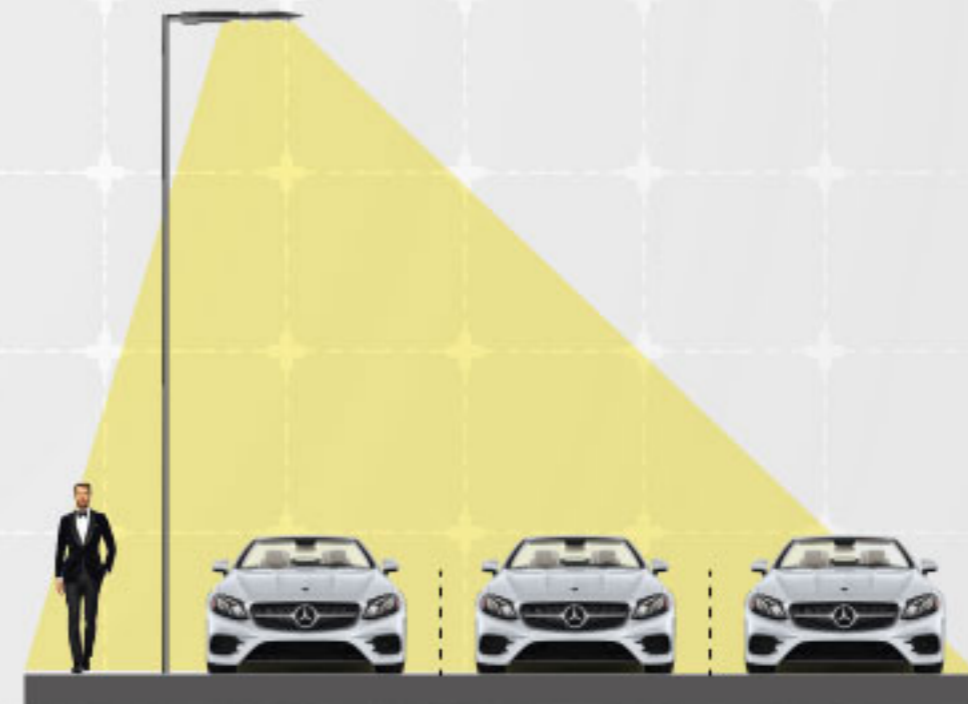
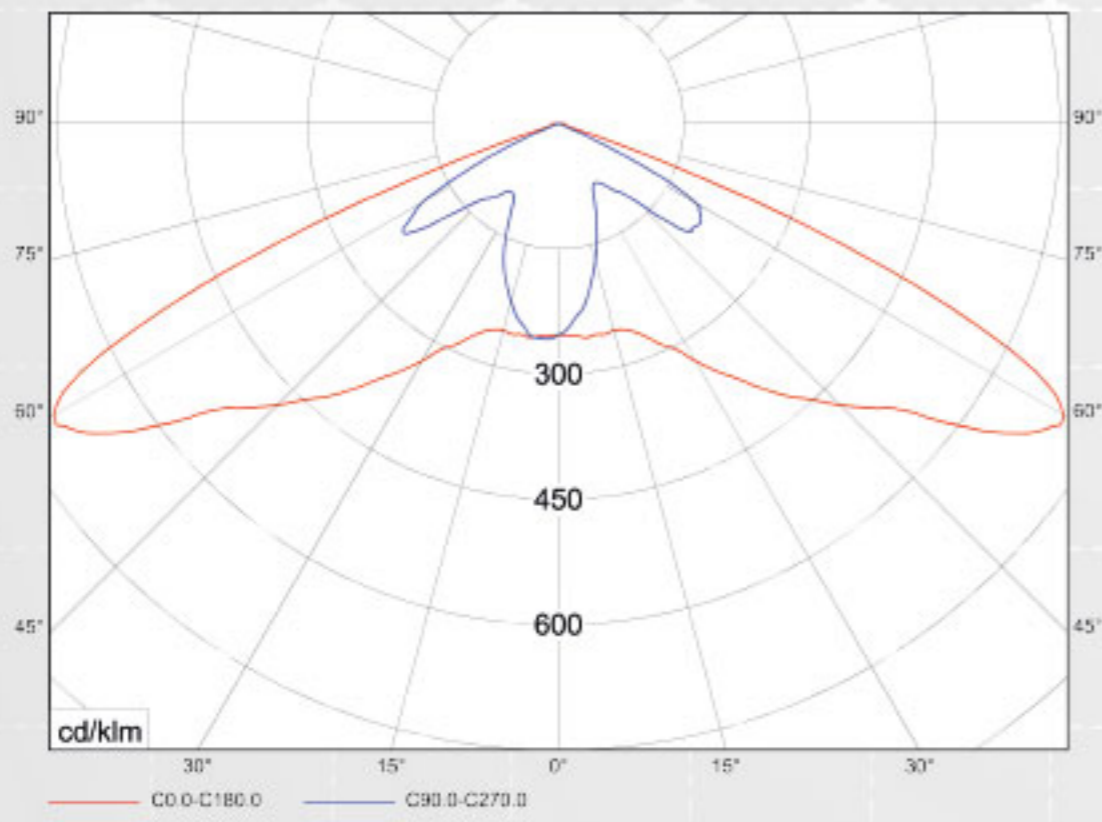
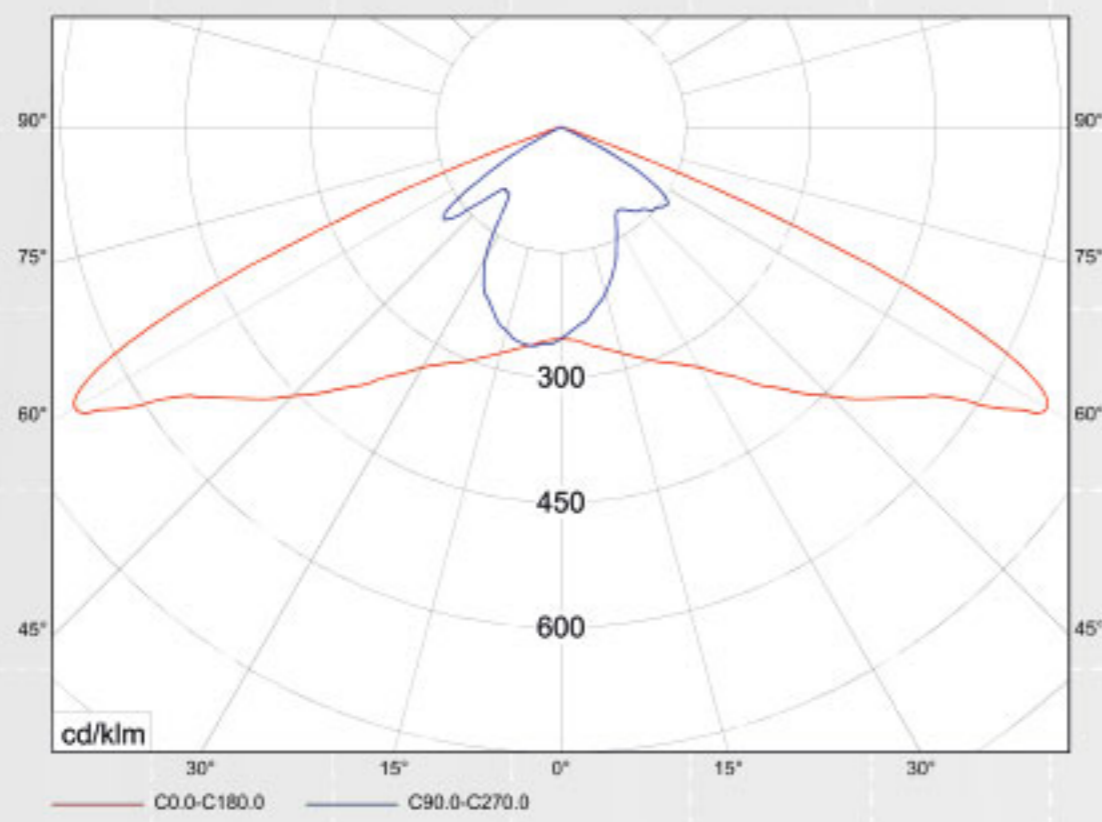
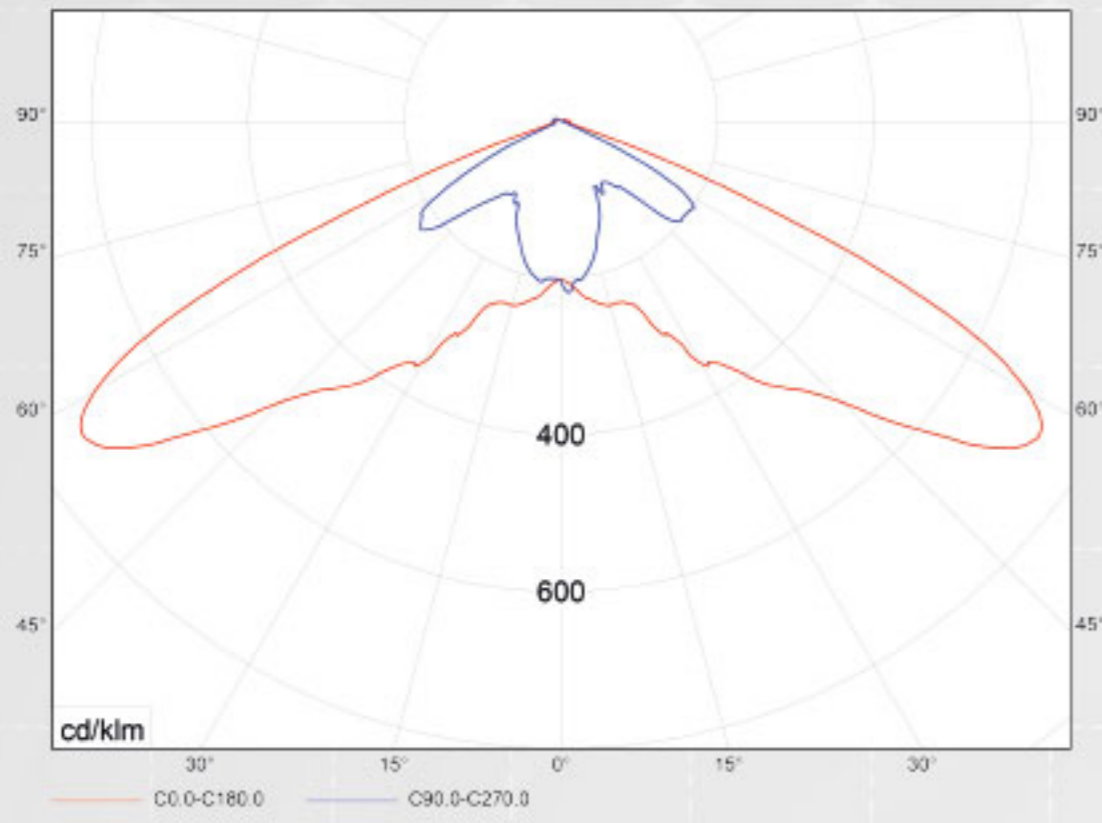
IMPORTED CHIPS

WATERPROOF











COB Flood Lighting

LED
Flood light
30-200W
AC100~240V
Color: 
125 Lm/w



CE MARKINGS



3-5 YEARS WARRANTY



50.000 hrs LED LIFE

L80

L80 RATED

IP66

IP RATING



INTERNATIONAL ELECTROTECHNICAL COMMISSION



Features

- 1- The smart control system enables adaptation of luminous flux according to needs and also cuts
- 2- Self Cleaning Nano Coating
- 3- Up to 125 lm/w
- 4- Five beam angle option 60, 90, 120, 140, 180
- 5- Variety of installation options hook pole or bracket
- 6- Optimal thermal management
- 7- IP66 protection rating

Benefits

- 1- Easily replace conventional high bays up to 70% energy savings
- 2- 50.000 hours lifespan 5 times longer than metal halide bays and 4 time longer than CFL
- 3- Accommodate various applications
- 4- Flexible installation easily replace existing fixtures
- 5- Water and dust proof adaptable in rough environment

Application

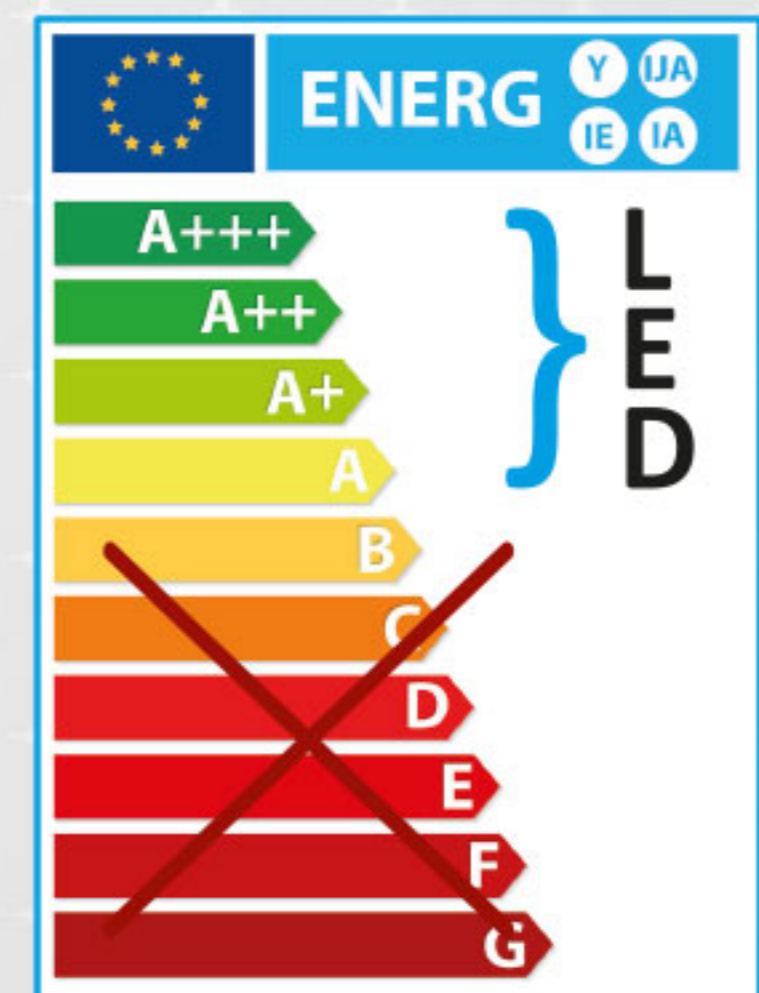


Specification

Item code	Product description	Power (W)	Power Factor	Efficiency	lumen (lm)	CCT (K)	Average Lifetime(hrs)
9700200	LED Floodlighting -RM-30W	30	0.95	≥125	3750	3000-6000	50000
9700201	LED Floodlighting -RM-50W	50	0.95	≥125	6250	3000-6000	50000
9700202	LED Floodlighting -RM-100W	100	0.95	≥125	12500	3000-6000	50000
9700203	LED Floodlighting -RM-150W	150	0.95	≥125	18750	3000-6000	50000

Technical specifications of street light	
CRI	≥80
Colour consistency	7
Dimmable	yes
Housing colour	Gery
IP	IP66
IK	IK08
Driver integrated (yes/no)	yes

Electrical supply	
Frequency (HZ)	50-60 Hz
Voltage	220-240 V
AC/DC	yes
Mechanical properties	
Housing material	Die cast aluminum
Optical material	Pc





Features

- 1- The smart control system enables adaptation of luminous flux according to needs and also cuts
- 2- Self Cleaning Nano Coating
- 3- Up to 125 lm/w
- 4- Five beam angle option 60, 90, 120, 140, 180
- 5- Variety of installation options hook pole or bracket
- 6- Optimal thermal management
- 7- IP66 protection rating

Benefits

- 1- Easily replace conventional high bays up to 70% energy savings
- 2- 50.000 hours lifespan 5 times longer than metal halide bays and 4 time longer than CFL
- 3- Accommodate various applications
- 4- Flexible installation easily replace existing fixtures
- 5- Water and dust proof adaptable in rough environment

Application

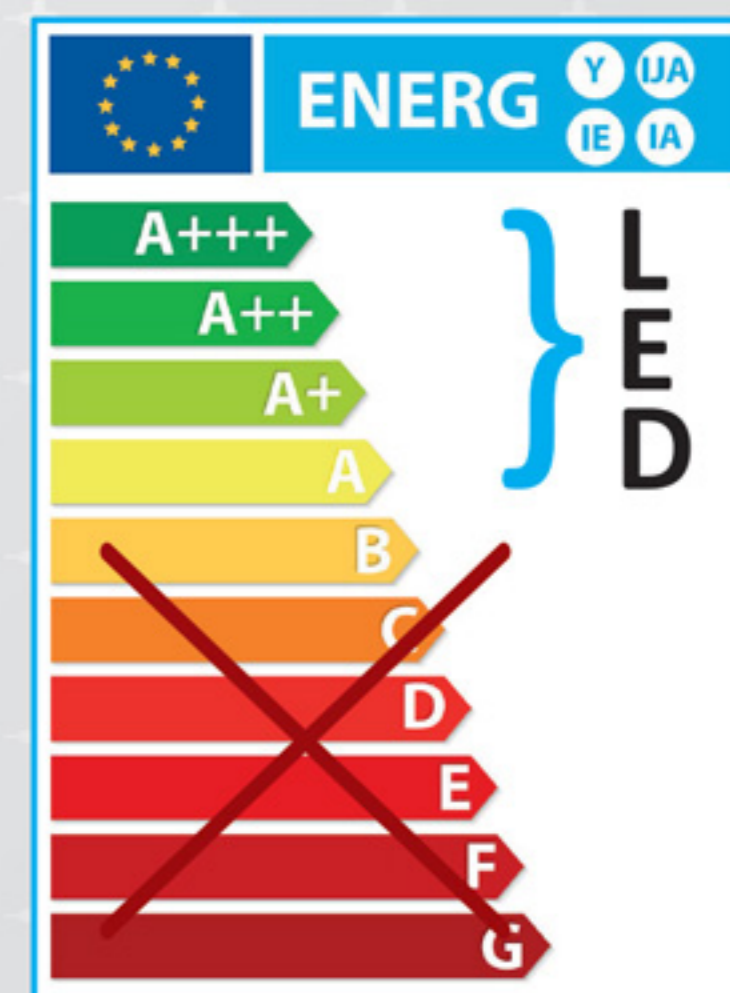


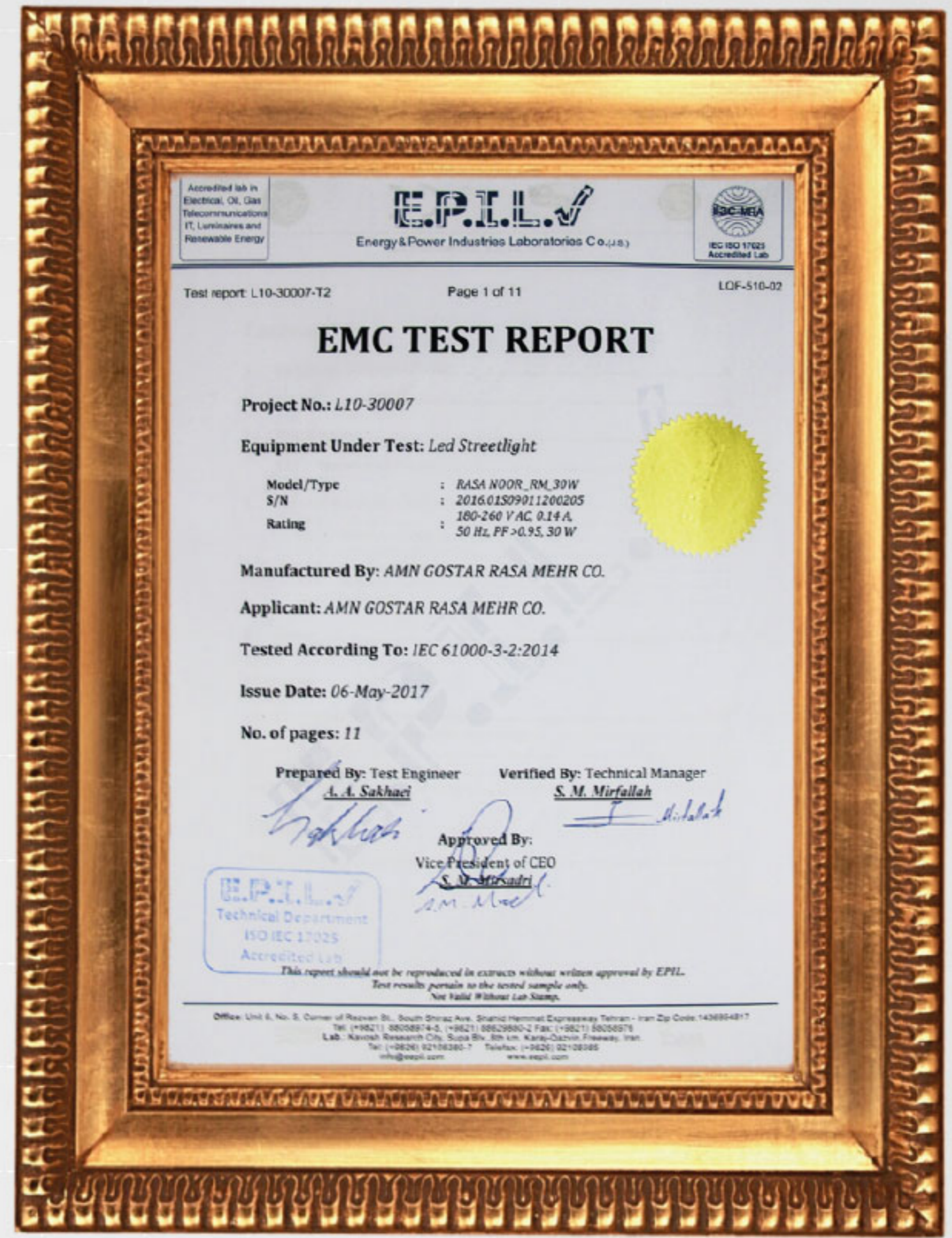
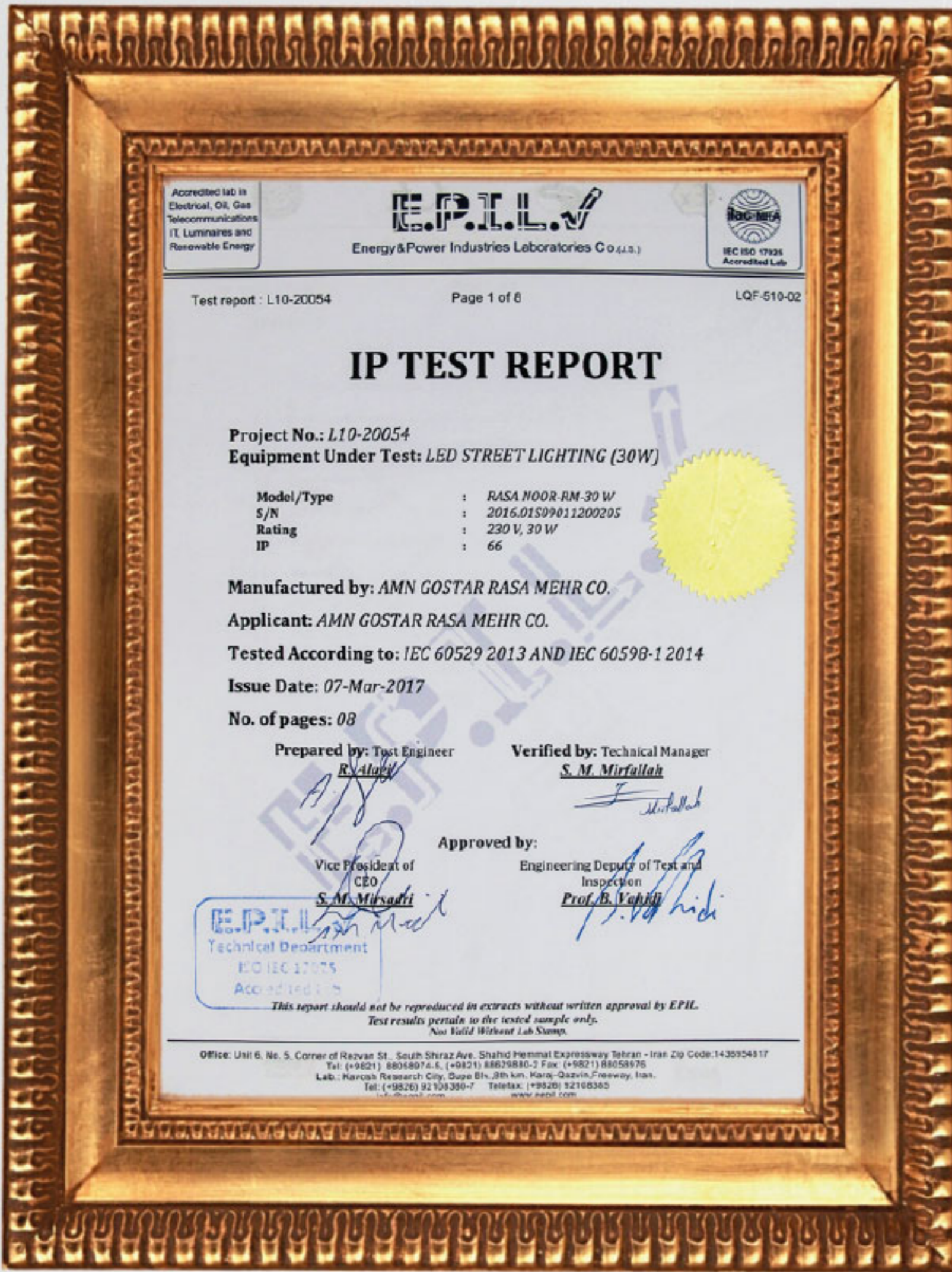
Specification

Item code	Product description	Power (W)	Power Factor	Efficiency	lumen (lm)	CCT (K)	Average Lifetime(hrs)
9700200	LED Floodlighting -RM-30W	30	0.95	≥110	3300	3000-6000	50000
9700201	LED Floodlighting -RM-50W	50	0.95	≥110	5000	3000-6000	50000
9700202	LED Floodlighting -RM-100W	100	0.95	≥110	11000	3000-6000	50000
9700203	LED Floodlighting -RM-150W	150	0.95	≥110	16500	3000-6000	50000
9700204	LED Floodlighting -RM-200W	200	0.95	≥110	22000	3000-6000	50000

Technical specifications of street light	
CRI	≥80
Colour consistency	7
Dimmable	yes
Housing colour	Gery
IP	IP66
IK	IK08
Driver integrated (yes/no)	yes

Electrical supply	
Frequency (HZ)	50-60 Hz
Voltage	220-240 V
AC/DC	yes
Mechanical properties	
Housing material	Die cast aluminum
Optical material	Pc







 **LUMINAIRE SPECIFICATION** 

Measurement No.: 96L670

Test Object	Street Light LED
Type	RasaNoor-RM-130W
Power consumption	130 Watt
Light Color	Cool White
Manufacturer	Amn Gostar Rasa Mehr Co.
Test performed in order of	Amn Gostar Rasa Mehr Co.
Ballast	Electrical Ballast for LED Luminaries
Efficiency	125 lumen/watt



  Seal

Head of The laboratory
Prof. H. Mohseni

 Test Leader
S. Mohseni



Tehran, October 04, 2017 Lighting Lab. University of Tehran
Lighting Lab. University of Tehran Campus 2 north karegar Ave, Tehran, IRAN P.O. Box 14395/515
Tel: +98-21-88011250 Fax: +98-21-88027766

 **LUMINAIRE SPECIFICATION** 

Measurement No.: 95L506

Test Object	LED StreetLight 140 Watt COB WW
Manufacturer	Amn Gostar Rasa Mehr
Type	Rasa Noor- RM-140W
Lamp	LED
Efficiency	119 lumen/watt



  Seal

Head of The laboratory
H. Mohseni

 Test Leader
S. Mohseni



Tehran, January 23, 2017 Lighting Lab. University of Tehran
Lighting Lab. University of Tehran Campus 2 north karegar Ave, Tehran, IRAN P.O. Box 14395/515
Tel: +98-21-88011250 Fax: +98-21-88027766



www.rasamehr.com



090 3040 6416



045 3333 8000



041 3383 0583



info@rasamehr.com



[@rasamehr_1](https://www.instagram.com/rasamehr_1)

